



XU250

**DEEP INDENTING
HYDRAULIC HEAD**

700 bar

- HEAD ACCORDING TO HN.68.S.90** (> EDF specifications)
For underground lines (*bimetallic lugs and sleeves*).
- INDENTOR OR DIE LOCKING ON THE PISTON**
Thanks to a retractable thumb wheel.
- INDENTOR OR DIE INDEXING**
Thanks to the screw, to avoid rotation.
- MECHANICAL STOP OF THE PISTON**
The piston stops at stroke end.

DEEP INDENTING
16 > 400 mm²

HEXAGONAL CRIMPING
6 > 630 mm²

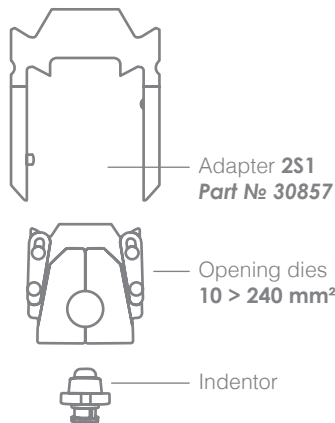


STROKE	29 mm
FORCE	250 kN
DIMENSIONS (L x l x h in mm)	270 x 116 x 98
WEIGHT	6.600 kg

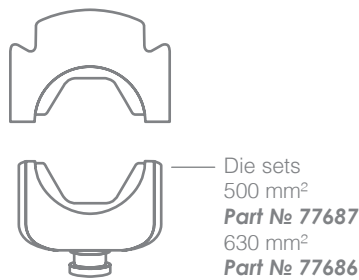
FITTINGS & HOSES
> Refer to **PAGE 67**.

DIE SETS
> Refer to **PAGES 89 – 97**.

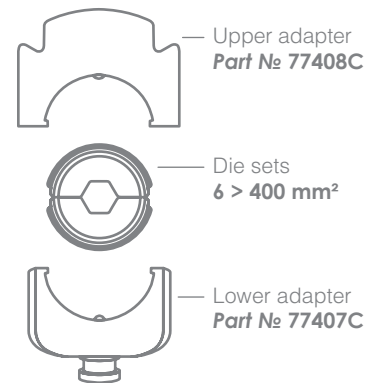
CARRYING CASE
> Refer to **XH130 NEO**.



ASSEMBLY № 1
INDENTING APPLICATION



ASSEMBLY № 2
CRIMPING APPLICATION



ASSEMBLY № 3
CRIMPING APPLICATION